

18 January 2008

Dear Customer,

During Anglia's routine quality surveillance programme on the K1 range of OKO relays, it has been observed that under extreme environmental conditions there is a remote possibility that the relay will allow the ingress of moisture to penetrate the seal. The data sheet for the K1 range of OKO relays has been updated to reflect this situation.

This change is effective immediately and we will re-commence shipments of relays to the revised specification unless otherwise instructed by yourselves.

The complete list of affected relays is detailed below

K1BE03	K1BE03H
K1BE05	K1BE05H
K1BE06	K1BE06H
K1BE09	K1BE09H
K1BE12	K1BE12H
K1BE24	K1BE24H

K1C03	K1C03H
K1C05	K1C05H
K1C06	K1C06H
K1C09	K1C09H
K1C12	K1C12H
K1C24	K1C24H

**Please note this issue only effects the K1 series, no other OKO series is affected.**

A revised datasheet for this series is attached for your information.

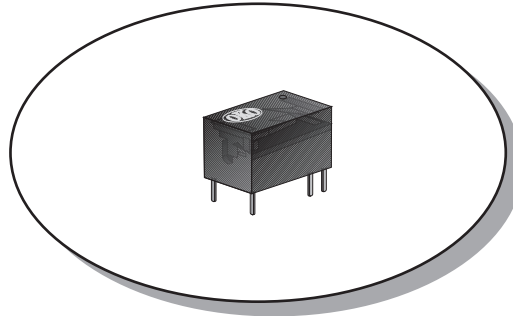
Yours faithfully  
Anglia

## PCB MOUNTING - Sub Miniature

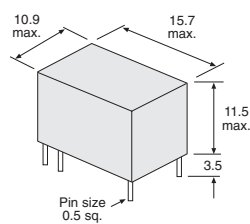
### OKO type K1B

Sub-miniature **single pole** changeover relays with an industry standard footprint and **style B** schematic. Heavier duty silver alloy contacts rated **3A**. Enclosed construction with DIL terminal pins on a 0.1in grid. Choice of standard or high sensitivity coils. Supplied in tubes.

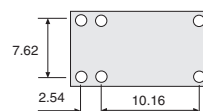
- ◆ SPCO silver alloy
- ◆ Choice of coil sensitivity
- ◆ Industry standard
- ◆ Enclosed construction
- ◆ Rated **3A**
- ◆ **Sub-miniature** package
- ◆ Very competitively priced
- ◆ **Style B** schematic



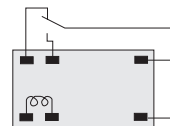
<b>Contacts:</b>	SPCO rated DC: 3A, 30V (min. 100mA, 6V) AC: 3A, 125V Silver alloy
<b>Coil:</b>	Power consumption: 360mW (standard) 200mW (high sens.) Operating voltage range 75-120%
<b>Speed:</b>	Operating time 8ms max. Release time 4ms max.
<b>Life Expectancy:</b>	Mechanical: 10 x 10 <sup>6</sup> operations min. Electrical: 1 x 10 <sup>5</sup> operations min.
<b>Operating Temperature Range:</b>	-30°C to +70°C
<b>Certification:</b>	



Dimensions (mm)



Footprint



Schematic (pin view)

#### STANDARD COILS (360mW)

##### Coil Voltage/Resistance

3Vdc/25Ω  
5Vdc/70Ω  
6Vdc/100Ω  
9Vdc/220Ω  
12Vdc/400Ω  
24Vdc/1600Ω

##### OKO Part No.

**K1BE03**  
**K1BE05**  
**K1BE06**  
**K1BE09**  
**K1BE12**  
**K1BE24**

#### HIGH SENSITIVITY COILS (200mW)

##### Coil Voltage/Resistance

3Vdc/45Ω  
5Vdc/120Ω  
6Vdc/180Ω  
9Vdc/400Ω  
12Vdc/700Ω  
24Vdc/2800Ω

##### OKO Part No.

**K1BE03H**  
**K1BE05H**  
**K1BE06H**  
**K1BE09H**  
**K1BE12H**  
**K1BE24H**

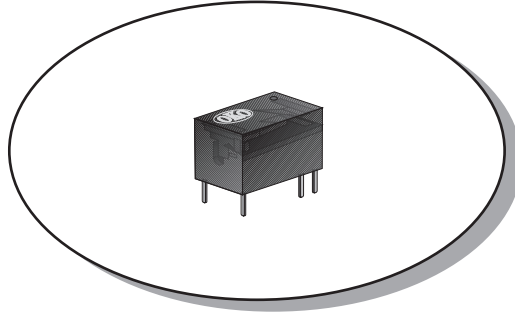
5 pin termination available to special order

**PCB MOUNTING - Sub Miniature**

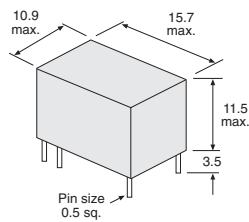
**OKO type K1C**

Sub-miniature **single pole** changeover relays with an industry standard footprint and **style A** schematic. Heavier duty silver alloy contacts rated **3A**. Enclosed construction with DIL terminal pins on a 0.1in grid. Choice of standard or high sensitivity coils. Supplied in tubes.

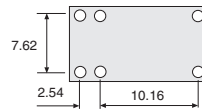
- ◆ **SPCO** silver alloy
- ◆ **Choice of coil sensitivity**
- ◆ Industry standard
- ◆ Enclosed construction
- ◆ **Rated 3A**
- ◆ **Sub-miniature** package
- ◆ Very competitively priced
- ◆ **Style A** schematic



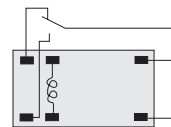
<b>Contacts:</b>	SPCO rated DC: 3A, 30V (min. 100mA, 6V) AC: 3A, 125V Silver alloy
<b>Coil:</b>	Power consumption: 360mW (standard) 200mW (high sens.) Operating voltage range 75-120%
<b>Speed:</b>	Operating time 8ms max. Release time 4ms max.
<b>Life Expectancy:</b>	Mechanical: 10 x 10 <sup>6</sup> operations min. Electrical: 1 x 10 <sup>5</sup> operations min.
<b>Operating Temperature Range:</b>	-30°C to +70°C
<b>Certification:</b>	



**Dimensions (mm)**



**Footprint**



**Schematic (pin view)**

Style A

**STANDARD COILS (360mW)**

**Coil Voltage/Resistance**

- 3Vdc/25Ω
- 5Vdc/70Ω
- 6Vdc/100Ω
- 9Vdc/220Ω
- 12Vdc/400Ω
- 24Vdc/1600Ω

- OKO** Part No.
- K1C03**
  - K1C05**
  - K1C06**
  - K1C09**
  - K1C12**
  - K1C24**

**HIGH SENSITIVITY COILS (200mW)**

**Coil Voltage/Resistance**

- 3Vdc/45Ω
- 5Vdc/120Ω
- 6Vdc/180Ω
- 9Vdc/400Ω
- 12Vdc/700Ω
- 24Vdc/2800Ω

- OKO** Part No.
- K1C03H**
  - K1C05H**
  - K1C06H**
  - K1C09H**
  - K1C12H**
  - K1C24H**

5 pin termination available to special order